

PRIMA SUCTION FEET

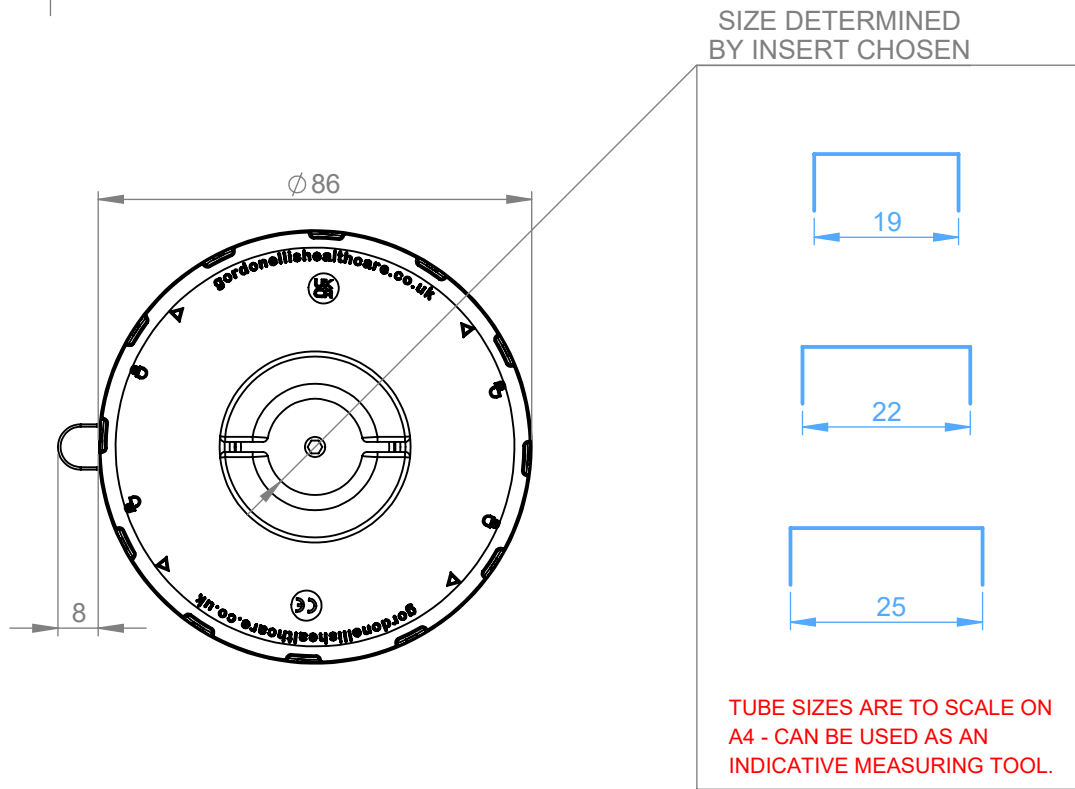
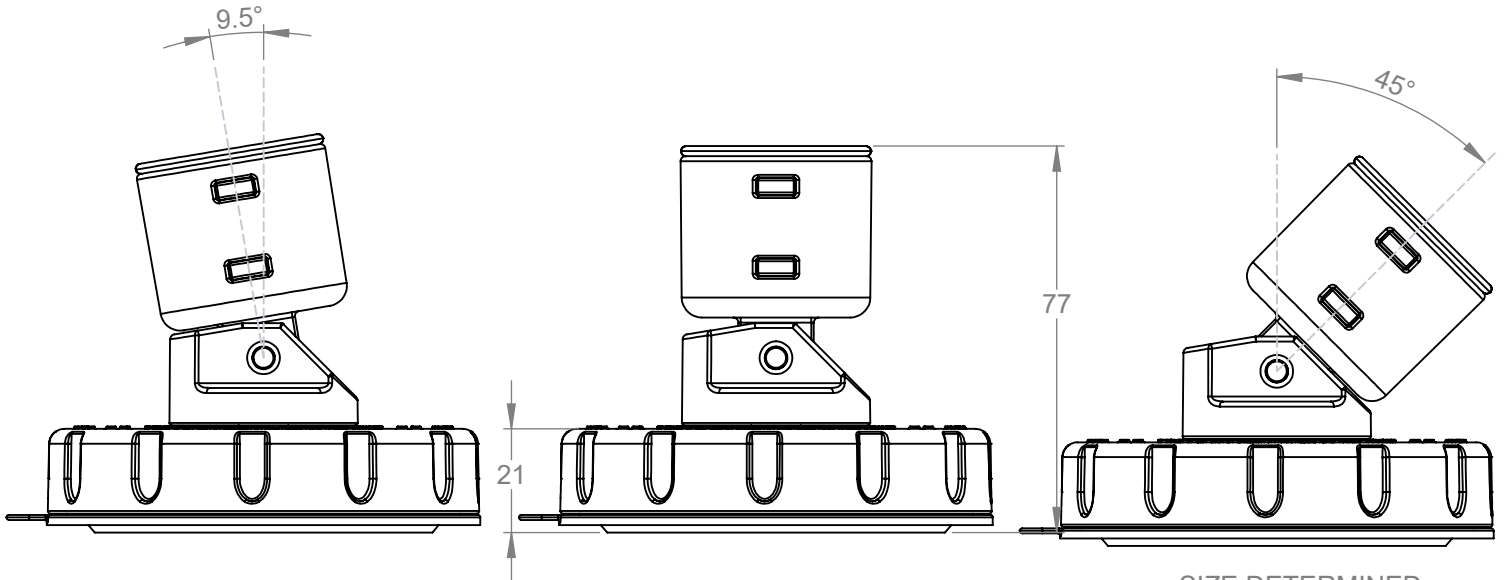
SUCTION FEET FOR TUBULAR FRAMES

Part No: 68030, 68035



GORDON
ELLIS
& CO

PRODUCT DRAWING



TECHNICAL SPECIFICATIONS

MAX 318 kg
700 lbs

MATERIAL(S): PP, PA, TPE

CONSULT INSTRUCTIONS FOR USE

Gordon Ellis & Co. Trent Lane, Castle Donington, Derby. DE74 2AT. England

View our entire range online at: GordonEllisHealthcare.co.uk