

# PRIMA MULTI-FRAME WITH TOILET OR SHOWER SEAT

Part No: 65233, 65244, 65255

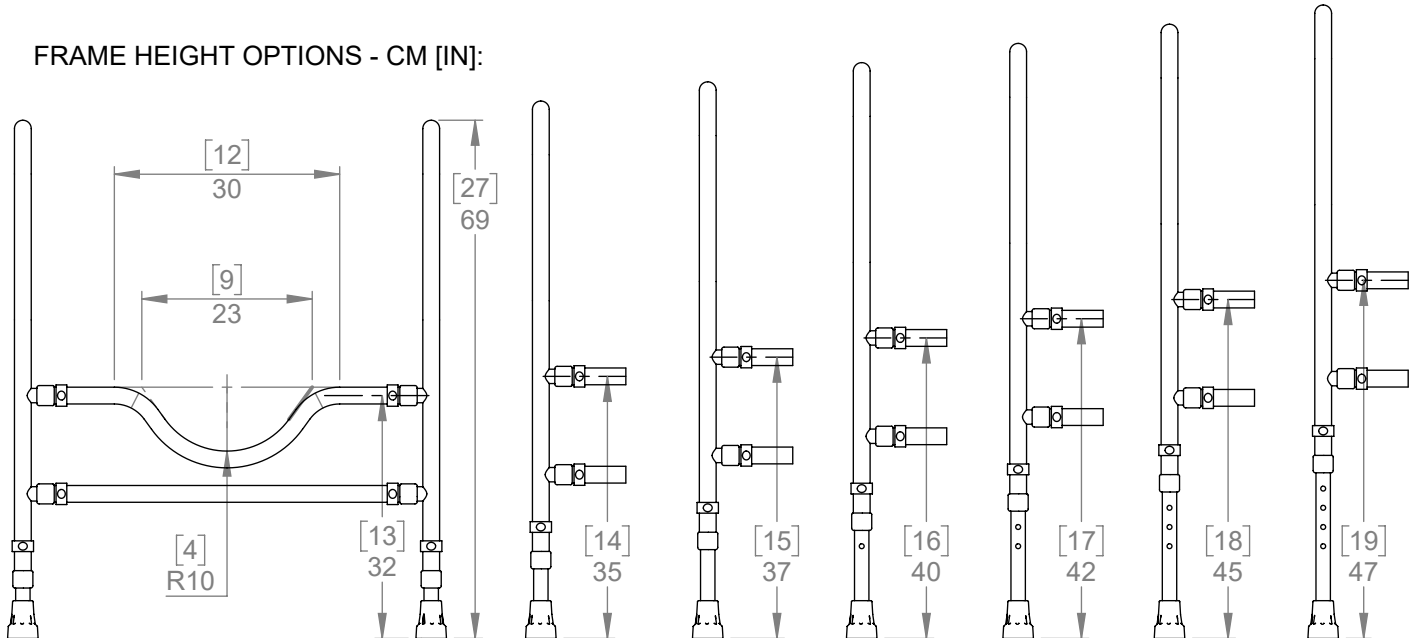


GORDON  
ELLIS  
& CO

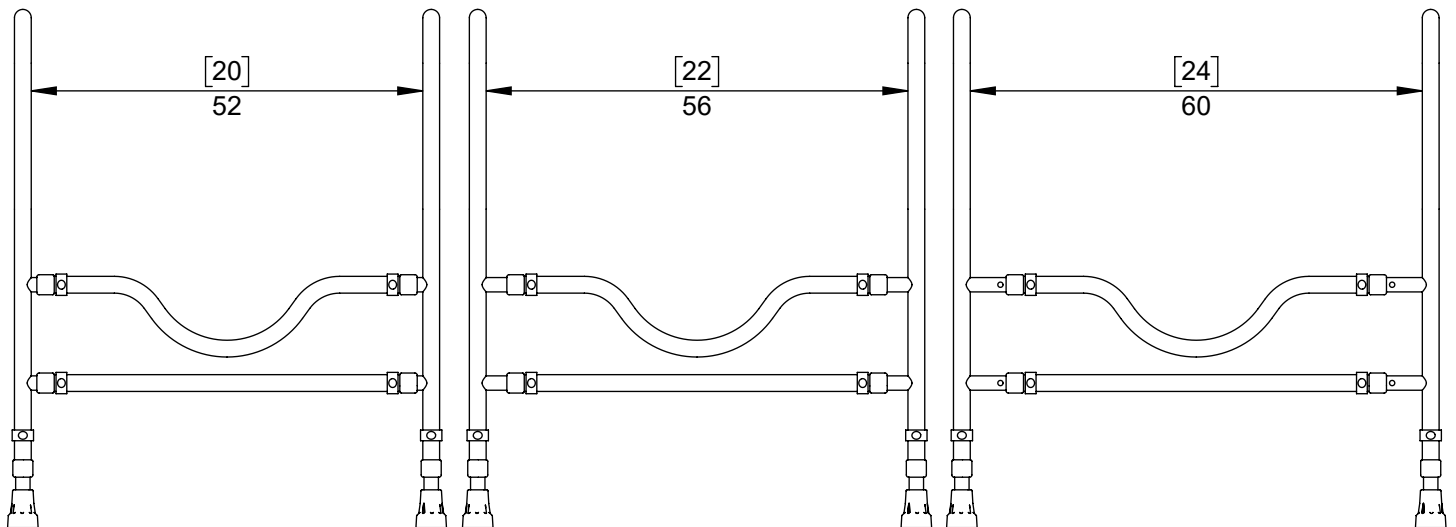
## PRODUCT DRAWING



FRAME HEIGHT OPTIONS - CM [IN]:



FRAME WIDTH OPTIONS - CM [IN]:



## TECHNICAL SPECIFICATIONS



190 kg  
419 lbs

MATERIAL(S): PP, LDPE, TPE, STEEL



CONSULT INSTRUCTIONS FOR USE



Gordon Ellis & Co. Trent Lane, Castle Donington, Derby. DE74 2AT. England

View our entire range online at: [GordonEllisHealthcare.co.uk](http://GordonEllisHealthcare.co.uk)

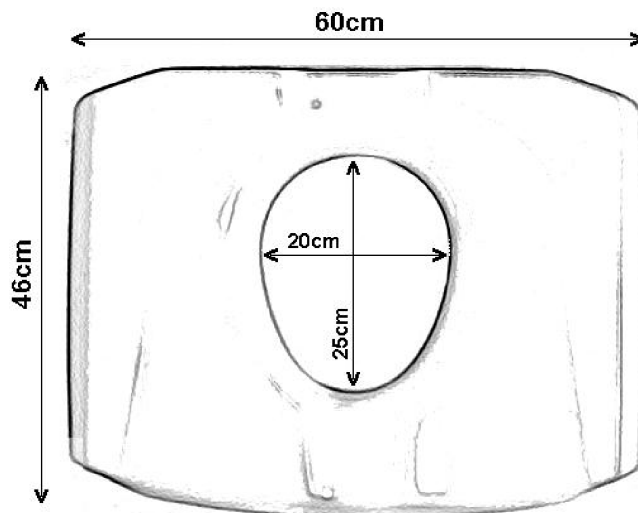
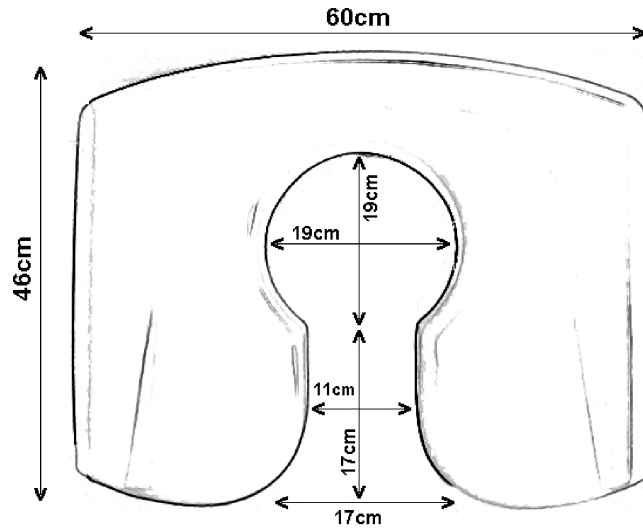
# PRIMA MULTI-FRAME WITH TOILET OR SHOWER SEAT

Part No: 65233, 65244, 65255



GORDON  
ELLIS  
& CO

## PRODUCT DRAWING



## TECHNICAL SPECIFICATIONS



190 kg  
419 lbs

MATERIAL(S): PP, LDPE, TPE, STEEL



CONSULT INSTRUCTIONS FOR USE



Gordon Ellis & Co. Trent Lane, Castle Donington, Derby. DE74 2AT. England

View our entire range online at: [GordonEllisHealthcare.co.uk](http://GordonEllisHealthcare.co.uk)