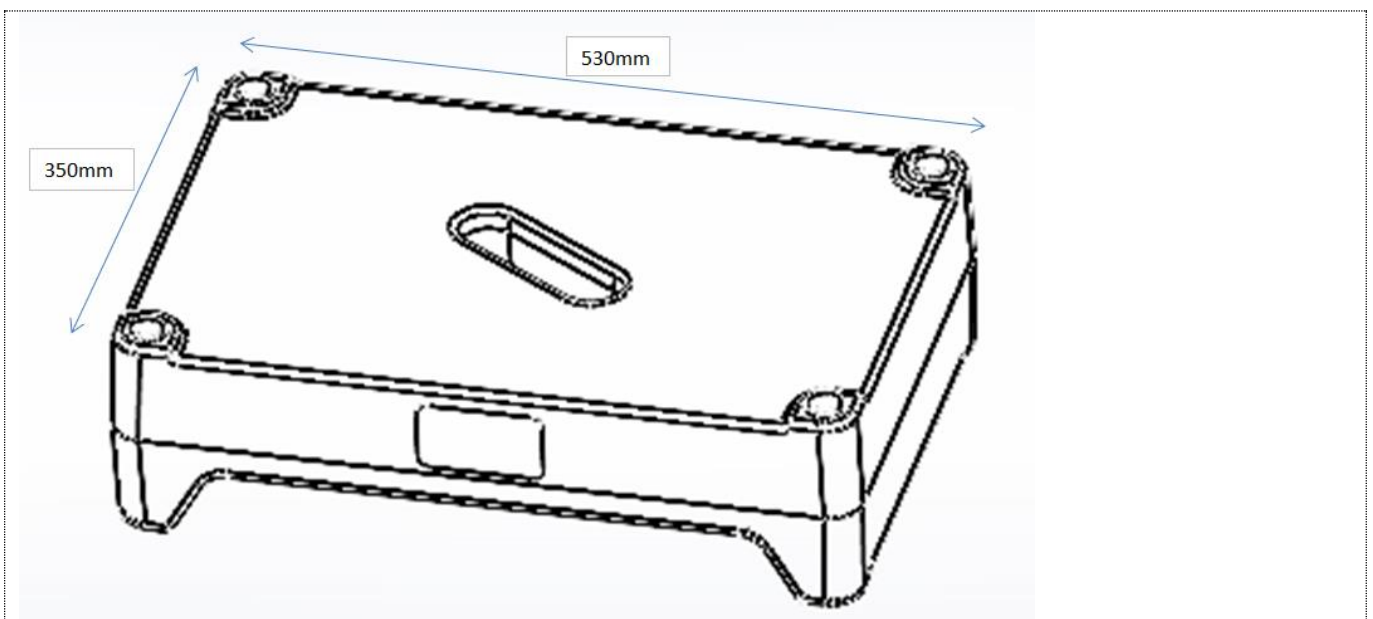
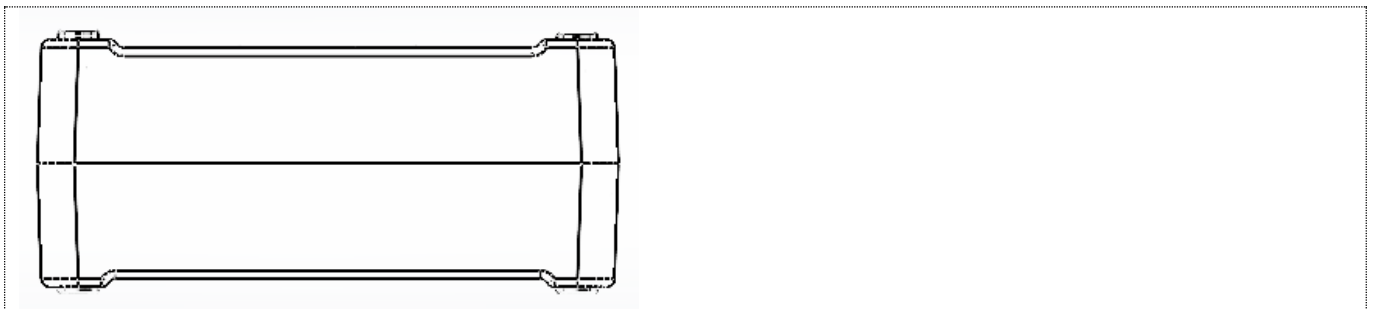
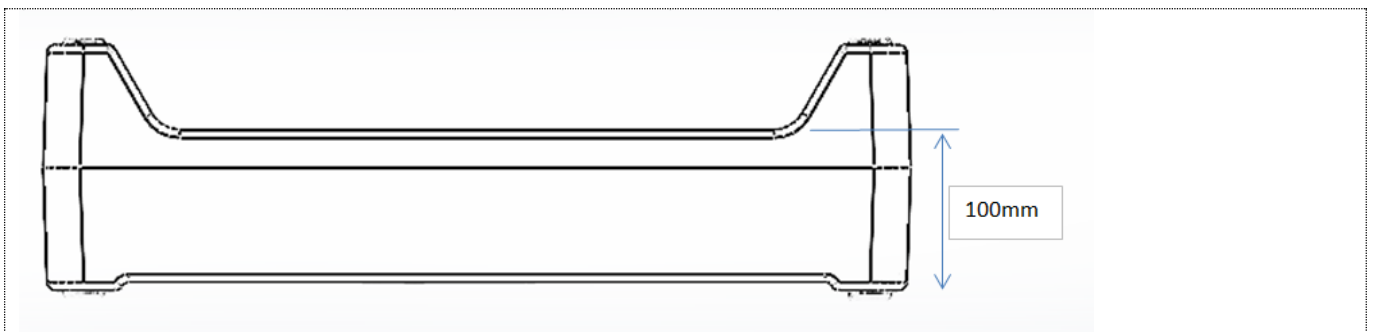
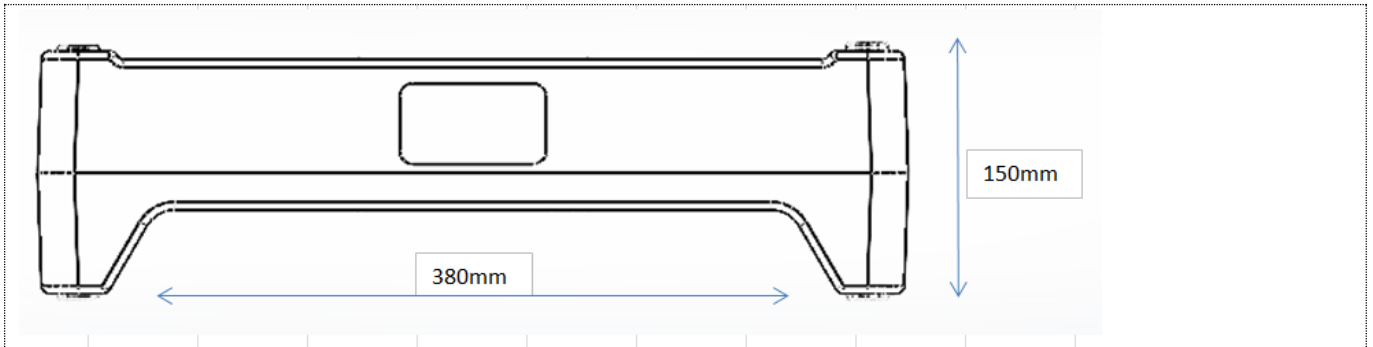


PRODUCT DRAWING

Description: **Ashby Step-Two**

Code: **6296 / 6296/RED**



Product weight: 3.0 kg. (shipping weight: 3.88 kg.)
 Maximum user weight: 190 kg.
 Material: Polyethylene.