

# DERBY CORNER COMMODE

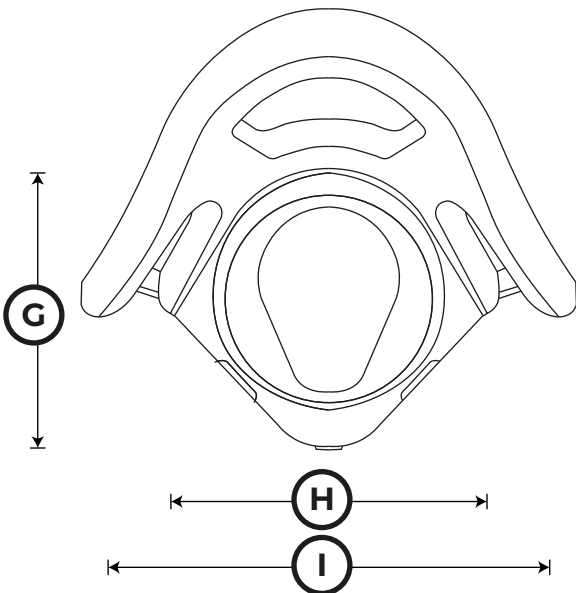
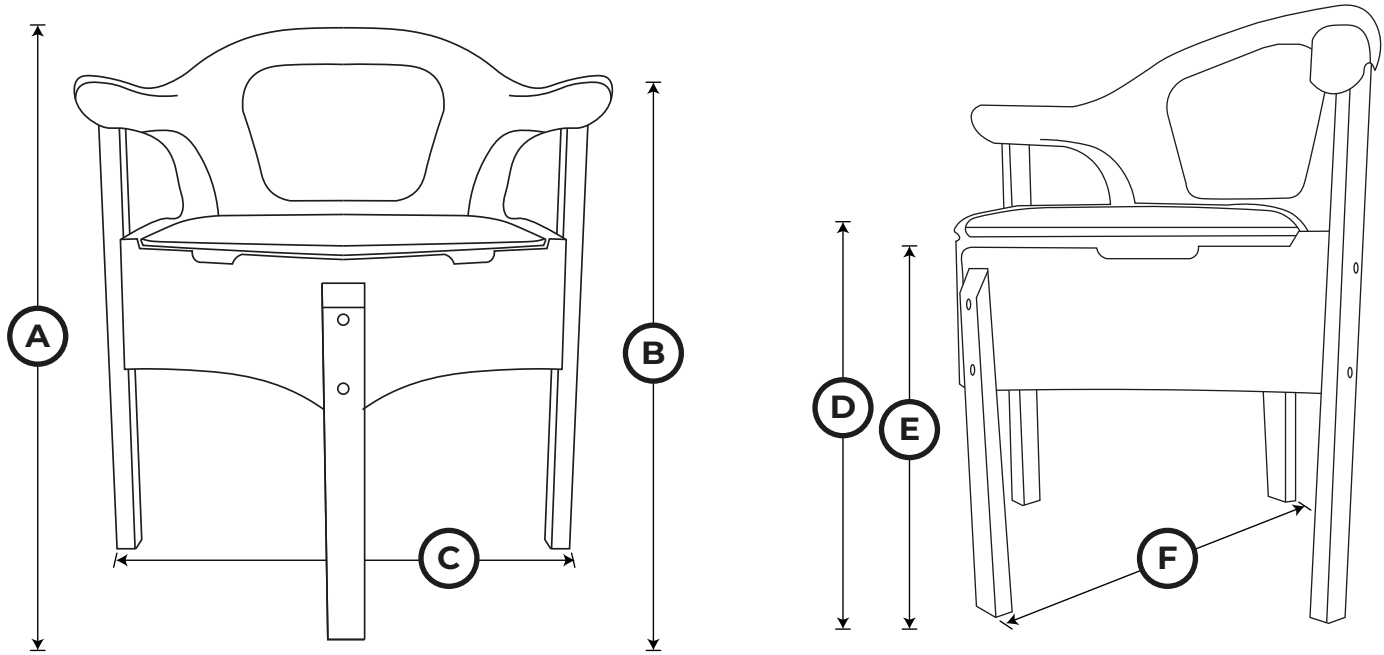
## REGULAR AND TALL VERSION

Part No: 55085/BR, 55087/BR, 55085/GYBL, 55087/GYBL



GORDON  
ELLIS  
& CO

### PRODUCT DRAWING



ITEM	DESCRIPTION	DIMENSIONS (mm)	
		55085/BR (REGULAR)	55087/BR (TALL)
A	OVERALL HEIGHT	825	875
B	FLOOR TO ARM HEIGHT	680	730
C	FOOTPRINT WIDTH	665	665
D	FLOOR TO SEATPAD HEIGHT	490	540
E	FLOOR TO POTTY HEIGHT	450	500
F	FOOTPRINT DEPTH	620	620
G	SEAT DEPTH	520	520
H	SEAT WIDTH	560	560
I	WIDTH BETWEEN ARMS	650	650

### TECHNICAL SPECIFICATIONS

**MAX** 254 kg  
560 lbs

MATERIAL(S): MDPE, ASH

CONSULT INSTRUCTIONS FOR USE

Gordon Ellis & Co. Trent Lane, Castle Donington, Derby. DE74 2AT. England

View our entire range online at: [GordonEllisHealthcare.co.uk](http://GordonEllisHealthcare.co.uk)