

PANDA

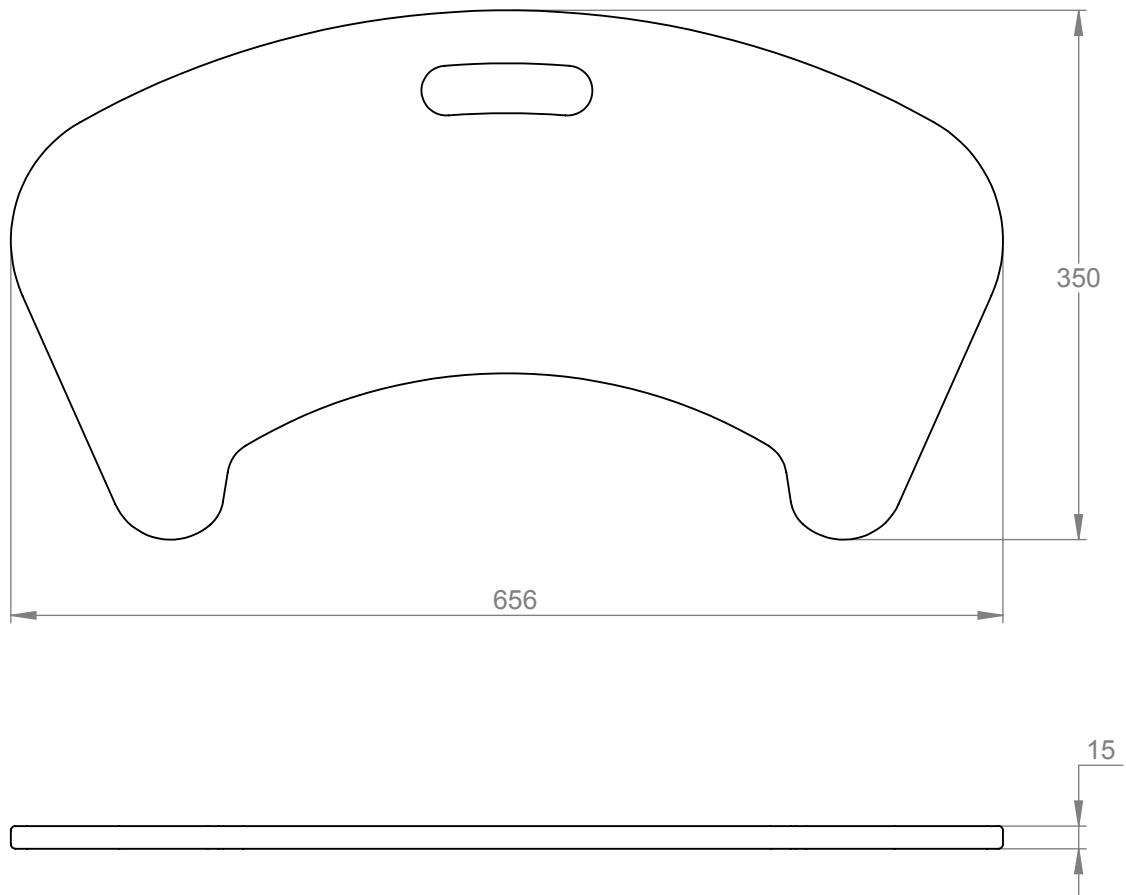
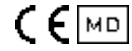
CURVED TRANSFER BOARD

Part No: 55935



GORDON
ELLIS
& CO

PRODUCT DRAWING



TECHNICAL SPECIFICATIONS

 **MAX** 190 kg
420 lbs

MATERIAL(S): BAMBOO

 CONSULT INSTRUCTIONS FOR USE

 Gordon Ellis & Co. Trent Lane, Castle Donington, Derby. DE74 2AT. England

View our entire range online at: GordonEllisHealthcare.co.uk