

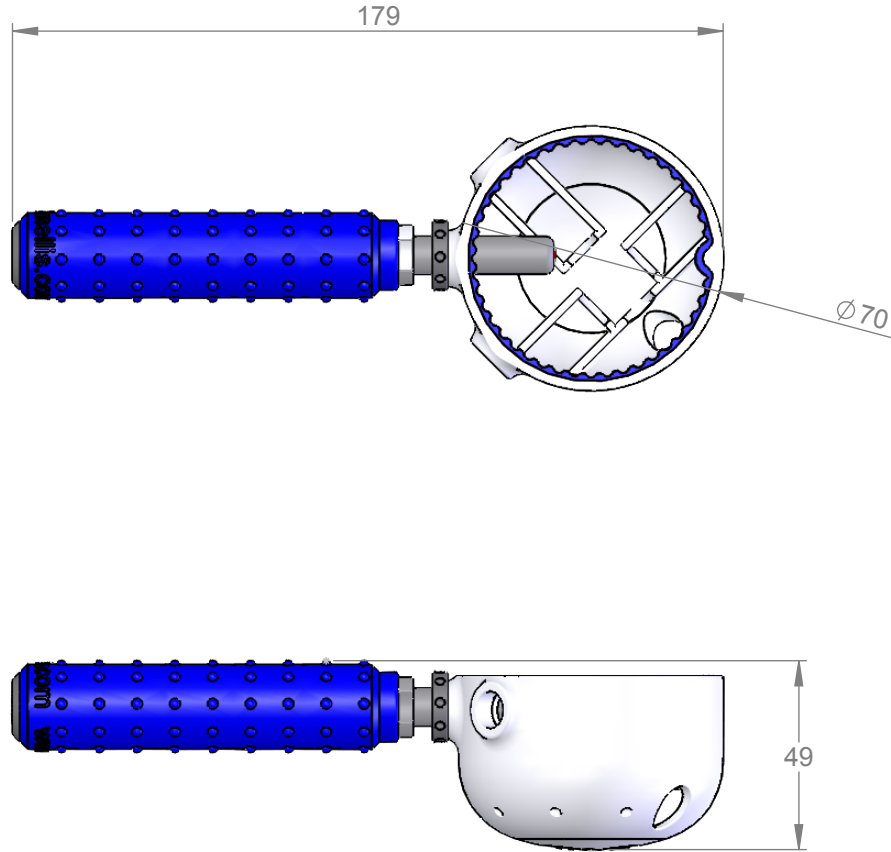
# DERBY TAP TURNERS

Part No: 60800, 60802



GORDON  
ELLIS  
& CO

## PRODUCT DRAWING



	CAPSTAN TAP	CRYSTAL TAP
MINIMUM TAP DIAMETER	40mm	48mm
MAXIMUM TAP DIAMETER	60mm	60mm

## TECHNICAL SPECIFICATIONS



n/a kg  
n/a lbs

MATERIAL(S): PP



CONSULT INSTRUCTIONS FOR USE



Gordon Ellis & Co. Trent Lane, Castle Donington, Derby. DE74 2AT. England

View our entire range online at: [GordonEllisHealthcare.co.uk](http://GordonEllisHealthcare.co.uk)